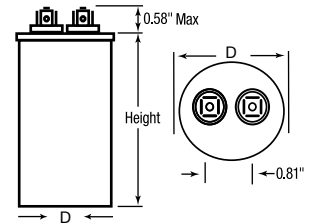


### ProLume. Metal Halide Ballast Specifications

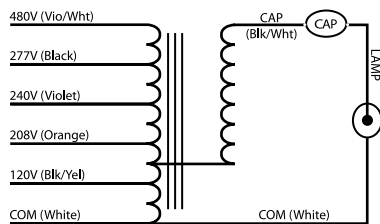
BALLAST SPECIFICATIONS					
Input Volts	120V	208V	240V	277V	480V
Frequency	60 Hz				
Circuit Type	CWA				
Input Power	1550W				
Starting Current	6.6A	4.1A	3.5A	3.0A	3.1A
Operating Current	13A	7.5A	6.5A	5.7A	3.3A
Open Circuit Current	8.0A	4.8A	4.0A	3.5A	2.0A
Recommended Fuse	44A	22A	20A	17A	10A
Open Circuit Volts	430V				
Short Circuit Current (Input)	3.0-9.0A	1.8-5.4A	1.6-4.8A	1.5-4.5A	0.8-2.4A
Short Circuit Current (Secondary)	6.2-9.0A				
Insulation System	Class N, 200°C				
UL 1029 Bench Top Rise Code	C	C	B	B	A
Min. Starting Temp	-22°F / -30°C				

#### CAPACITOR



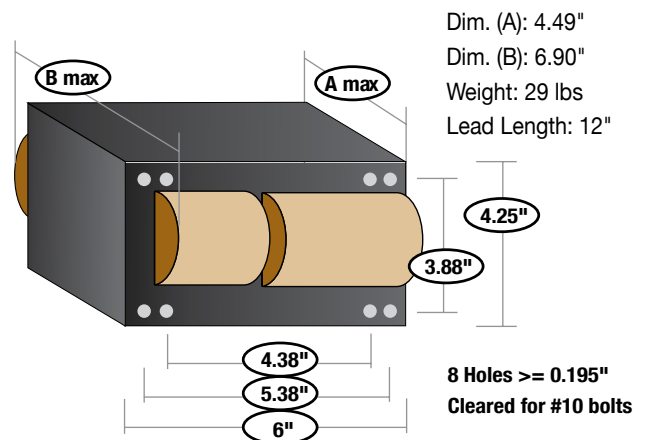
Diameter: 2.08"  
 Height: 4.96  
 Cap.: 32µF  
 Minimum Volts: 525V  
 Case Max. Temp.: 90°C

#### WIRING DIAGRAM



Cap unused leads with wire nuts.

#### BALLAST DIMENSIONS



Actual performance can vary depending on operating conditions. Specifications are subject to change without notice. All specifications are nominal unless otherwise noted.

PN# 55182

