



KTEB-120-1-TP-EMI	
Ballast Type	Electronic
Starting Method	Rapid Start
Lamp Connection	--
Input Voltage	120Vac ± 10%
Input Frequency	60Hz

ELECTRICAL SPECIFICATIONS:

Lamp Type	No. of Lamp	Input Watts	Input Current (Amps)	Power Factor	Crest Factor	Ballast Factor	Ballast Efficacy Factor	Max. THD %
F20T8	1	18	0.26	0.56	1.49	0.9	5.00	130
F20T12	1	18	0.26	0.56	1.49	0.9	5.00	130
F18T8	1	17.5	0.26	0.55	1.56	0.95	5.43	140
F17T8	1	18.5	0.27	0.56	1.52	1.0	5.41	140
F15T8	1	16	0.25	0.55	1.58	1.0	6.25	140
F15T12	1	16	0.25	0.54	1.56	1.0	6.25	140
F14T8	1	15.5	0.24	0.54	1.59	1.0	6.45	150
F14T12	1	15.5	0.24	0.54	1.59	1.0	6.45	150

PERFORMANCE:

- Sound Rated: A
- Minimum Starting Temperature: 0°F, -18°C
- Maximum Case Temperature: 167°F, 75°C
- Transient Protection meets ANSI/IEEE C62.41 Cat. A
- Lamp end-of-life protected
- Meets FCC Part 18 (Class B) Consumer Limits
- 3-Year Warranty

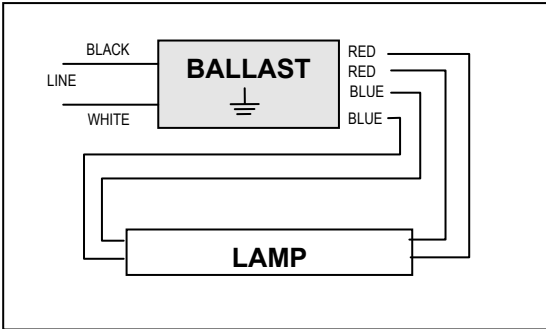
APPROVALS:

- UL, cUL 935 listed.

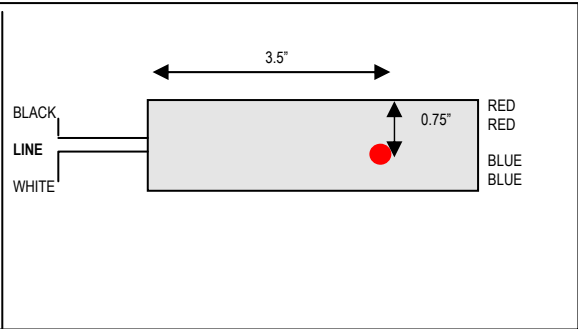
PHYSICAL DIMENSIONS:

Length (L):	6.46"
Width (W):	1.37"
Height (H):	1.00"
Mounting (M)	6.00"
Lead Length:	
White, Black	12" x 12"
Blue	18"
Red	18"

WIRING DIAGRAM:



HOT SPOT LOCATION:



To purchase this product visit



Lightbulbsurplus.com

Brand Name Lighting For Less

Call Toll Free 888.553.5655 | sales@lightbulbsurplus.com