



## Dimmable LED MR16

### Ordering Information

Model No.	Item name	Chips	Lumens <sup>2</sup> (lm)	CBCP (cd)	Watts (w)	CCT <sup>1</sup> (k)	Efficacy (lm/w)	CRI	Lifetime <sup>3</sup> (h)	Beam Angle	Base type	Voltage (v)	Weight (lb)	Cerification	Equivalent <sup>4</sup> (w)
MR16D-7W-30OS30-B01	MR16	Osram	350	1300	6	3000	58	80	35000	30°	GU10	120	0.11	UL, FCC, Energy Star <sup>5</sup>	35
MR16D-7W-50OS30-B01	MR16	Osram	400	1300	6	5000	67	70	35000	30°	GU10	120	0.11	UL, FCC, Energy Star <sup>5</sup>	35
MR16D-7W-30EP25-B01	MR16	Epistar	350	1300	6	3000	58	80	25000	25°	GU10	120	0.11	UL, FCC	30
MR16D-7W-50EP25-B01	MR16	Epistar	400	1300	6	5000	67	70	25000	25°	GU10	120	0.11	UL, FCC	30

**3 YEARS WARRANTY**



1. CCT Range complies to ANSI C78.377-2008.

2. Thermally stable typical lumens (± 10%)

3. Rated life is based on 70% lumen maintenance, and engineering testing and probability analysis.

4. Equivalency based on the Energy Star® Integral LED Lamp Center Beam Intensity Benchmark Tool.

5. Energy Star® will be available in May, 2013.

Note: All Information consistent with IESNA LM-80-08 results and IESNA LM-79-08 testing completed by a qualified third party facility.

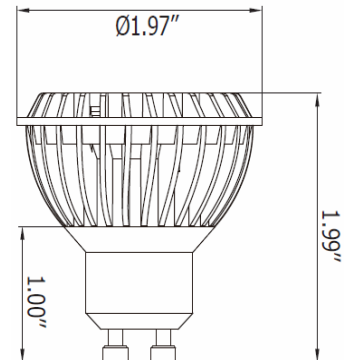
Note: All lamps meet Energy Star® Integral LED Lamp requirements, and will be submitted for testing.

### Dimensions

Model	MOL	Diameter
MR16	1.99"	1.97"

Note: Lamp shape conforms to ANSI C78.21-2003.

Note: Designed to comply with RoHS Directive 2002/95/EC.



### Energy Savings

Model No.	Equivalent	Energy Savings
MR16D-7W-30OS25-B01	35W Halogen	\$112

\*Actual Equivalent Replacement, based on the Energy Star® Integral LED Lamp Center Beam Intensity Benchmark Tool.

Note: Energy Savings based on using one bulb for 35,000 hr rated life at 11¢/kWh. Does not include maintenance and replacement lamp savings.

Model No.	Equivalent	Energy Savings
MR16D-7W-30EP25-B01	30W Halogen	\$66

\*Actual Equivalent Replacement, based on the Energy Star® Integral LED Lamp Center Beam Intensity Benchmark Tool.

Note: Energy Savings based on using one bulb for 25,000 hr rated life at 11¢/kWh. Does not include maintenance and replacement lamp savings.

### Ordering Guide

MR16D-7W-30OS30-B01

MR16	-	6W	--	30OS30	--	B01
Lamp Type		Wattage		CCT + Chip + Beam Angle		Structure + Voltage
MR16D = Dimmable MR16		6W = 6 Watts		30OS = 3000K +Osram + Narrow Flood 30°		B01= Die-casting + 120V